

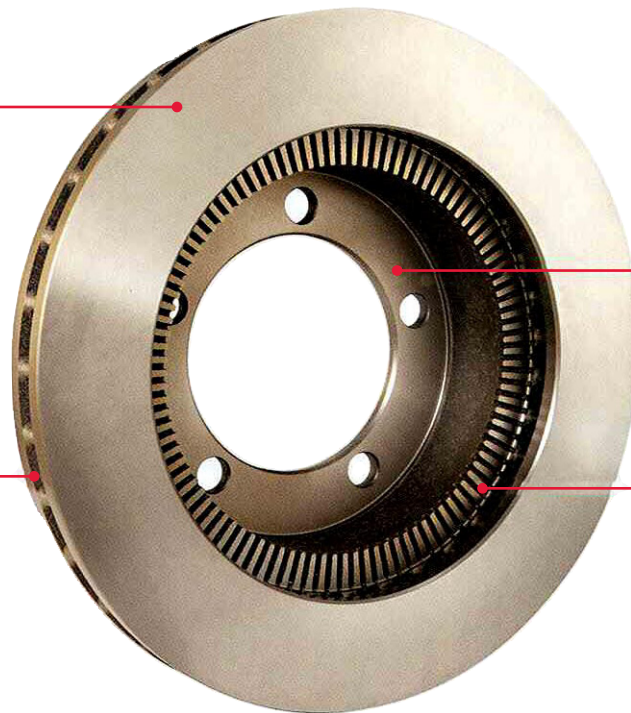


HYDRAULIC BRAKE ROTORS WITH RUST-RESISTANT COATING



Designed and built to exacting specifications

Machined-to-Balance (MTB) process eliminates drive-in weights for balancing



Coating applied to key contact points to prevent rust from spreading to hub and wheel

ABS teeth and veins are coated to maintain ABS tone ring integrity

Features and Benefits:

- Patented technology prevents substances such as rock salt, magnesium chloride, calcium chloride and other chemicals from rusting brake rotors
- Proprietary coating thoroughly seals the rotor – even the outside edge of the cooling veins – to prevent corrosion and metal fatigue
- The coating will not wear or chip when exposed to heat, chemical de-icers, wash solutions, pebbles, sand or grime
- A unique coating process ensures that the rotor receives a complete application while exacting tolerances and thermal properties are maintained
- The special coating delivers optimum rotor performance and service life for medium-duty truck, school bus and express delivery applications

- Rigorous testing on the road and in the lab – including 400 hours of salt-spray testing – has shown significantly improved service life over uncoated rotors
- Hydraulic brake rotors with rust-resistant coating are backed by a 1-Year/100,000 Mile warranty



Original Euclid Part #	New Euclid Part # Coated
E-11470	E-14550
E-12523	E-14552
E-6114	E-14573
E-12524	E-14557
E-6115	E-14572

COMMON LOADED CALIPERS



E-4238X-SL
(Left & Right)

Replacement Pad Set E-D225-SHD

Casting	4150844	BENDIX	R55250
Piston	2	DAYTON	60-050175
Size	2.875	GMC	1550101
Original	Bendix	GMC	15514583
		NAVISTAR	1658443C91
		PROBILT	M3001
		RAYBESTOS	RWC7700
		WAGNER	CR120549



E-4237AX-SL
(Left & Right)

Replacement Pad Set E-D380-S

Casting	4151020	BENDIX	R55245
Piston	2	BENDIX	R55314
Size	2.596	DAYTON	60-050174
Original	Bendix	PROBILT	M3003
		WAGNER	CR112057



E-4244X-SL
(Left & Right)

Replacement Pad Set E-D224-S

Casting	472T17	BENDIX	R55251
Piston	2	DAYTON	60-050150
Size	2.495	GMC	15510024
Original	Dayton	PROBILT	M3002
		RAYBESTOS	RWC7800
		WAGNER	CR120313



E-4245X-SL
(Left & Right)

Replacement Pad Set E-D236-S

Casting	0456	BENDIX	R55252
Piston	2	DAYTON	60-0501455
Size	2.875	FORD	E3HZ-2B120A
Original	Dayton	PROBILT	M3004
		RAYBESTOS	RWC7900
		WAGNER	CR108723

Nov. 28, 2011 (23 EUBrakeRotors)

MIDWEST WHEEL COMPANIES
SINCE 1911

HDA TRUCK PRIDE

AMERICAN EXPRESS MEMBER

MIDWESTWHEEL.COM

Iowa

DES MOINES
1436 E. Ovid Ave.
OFFICE 515.265.1491
FAX 515.265.4120
PARTS FAX 800.314.4329
PARTS 800.888.0248

TRUCK PARTS SUPER STORE™

CEDAR RAPIDS
200 50th Ave. S.W.
MAIN 319.365.4453
FAX 319.365.6327
PARTS FAX 877.706.6085
PARTS 800.332.5435

DAVENPORT
8502 Northwest Blvd.
MAIN 563.322.2671
FAX 563.322.5940
PARTS FAX 800.553.1886

CLEAR LAKE
840 Hwy. 18 W.
MAIN 641.357.7101
FAX 641.357.8190
PARTS FAX 800.548.9674
PARTS 800.397.5630

SIOUX CITY
1819 E. 4th St.
MAIN 712.252.7969
FAX 712.252.6149
PARTS FAX 800.943.3534

Missouri

KANSAS CITY
5801 E. Front St.
MAIN 816.471.1552
FAX 816.471.0813
PARTS 800.821.7402

GRANDVIEW
14817 So. 71 Hwy.
MAIN 816.318.9111
FAX 816.318.9114
PARTS 866.318.9111